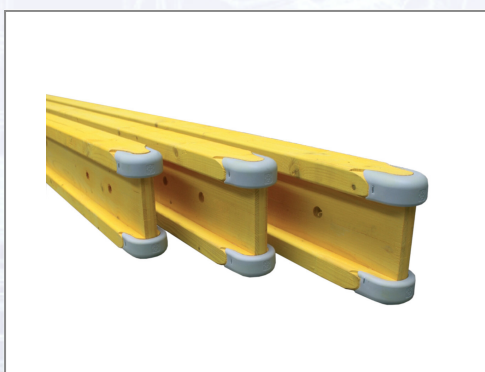


Nosači oplate H20



Materijal: jelovina/smreka, norma čvrstoće: DIN 4074 Klasse II (S10), čvrstoća na savijanje (MRK): 15 KNm, čvrstoća na lom (VRK): 18,17 KN, težina nosača: 4,45 kg/m, dužina nosača: 2,45/2,90/3,30/3,60/3,90/4,90/5,90 m, 50 kom/paket

Art.Nr.	Beschreibung	Einheit
Z900037	Nosač oplate H20 4,9m 50kom/pal	ST
Z900010	Nosač oplate H20 2,0m 50kom/pal	ST
Z44508000101	Nosač oplate H20 2,45m 50kom/pal	ST
Z900030	Nosač oplate H20 3,3m 50kom/pal	ST
Z900016	Nosač oplate H20 2,9m 50kom/pal	ST
Z900035	Nosač oplate H20 3,6m 50kom/pal	ST
Z900036	Nosač oplate H20 3,9m 50kom/pal	ST

Standorte / Kontakt

GRAZ

Lorencic Bauservice GmbH
Puchstraße 208
8055 Graz

Tel.: +43 316 47 25 64-0
Fax: +43 316 47 25 64-77
graz@lorencic.com

WIEN - BRUNN / GEBIRGE

Lorencic Bauservice GmbH
Anton-Bruckner-Gasse 20
2345 Brunn/Gebirge

Tel.: +43 2236 37 97 00-0
Fax: +43 2236 37 97 00-75
wien@lorencic.at

SALZBURG - WALS

Lorencic Bauservice GmbH
Hölzlstraße 2
5071 Wals

Tel.: +43 662 88 28 26-0
Fax: +43 662 88 28 26-20
salzburg@lorencic.at

KLAGENFURT - EBENTHAL

Lorencic Bauservice GmbH
Keplerstraße 2
9065 Ebenthal i.K.

Tel.: +43 463 36 123-0
Fax: +43 463 36 123-17
klagenfurt@lorencic.at

WELS

Lorencic Bauservice GmbH
Paracelsusstraße 22
4600 Wels

Tel.: +43 7242 44 07 6-0
Fax: +43 7242 44 07 6-3
wels@lorencic.at

INNSBRUCK - HALL

Lorencic Bauservice GmbH
Schlögglstraße 81
6060 Hall i. Tirol

Tel.: +43 5223 43926-0
Fax: +43 5223 43926 6210
innsbruck@lorencic.at